



Installation manual

Internal water / dx coil Compact T

D-EIMOC2009-21_01EN

› Compact T

Original translations

REV	01
DATE	October 2025
REPLACES	D-EIMOC2009-21_00EN

1 Important warnings



The pictogram shows a situation of immediate danger or a dangerous situation that might cause injuries or death.



The pictogram shows that it is necessary to adopt suitable behaviour in order to avoid jeopardising staff safety and cause damages to the equipment.



The pictogram shows particularly important technical information that should be taken into consideration by the people installing or using the equipment.



Read this manual carefully before installation and keep it for any further future consultation by the various operators. Do not remove, tear out or rewrite any part of this manual.



Failure to follow these instructions may cause damage and injuries, even fatal, voids the warranty and relieves the Manufacturer of any liability.



All installation, assembly, electrical connections to the mains and ordinary/extraordinary maintenance must be performed **only by technicians complying with the legal requirements**, after turning off the unit and using personal protective equipment (i.e. gloves, protective goggles, etc.), in compliance with the regulations in force in the country the equipment is to be used in and the laws on safety in the workplace.



Installation, use or maintenance other than those specified in the manual may cause damage, injury or death, invalidate the warranty and relieve the Manufacturer of all liability.



Use protective clothing and suitable equipment while handling or installing the equipment, in order to prevent accidents and safeguard your own and other people's safety. Individuals not assigned to installation or maintenance are NOT allowed to stand or pass through the work area while the unit is assembled.



Before carrying out any installation, disconnect the equipment from the power supply and wait at least 120 seconds before carrying out any operation.

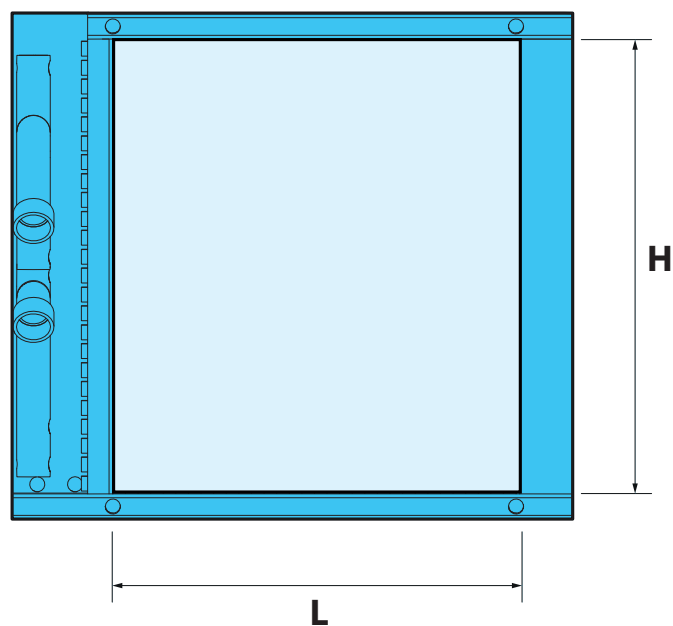
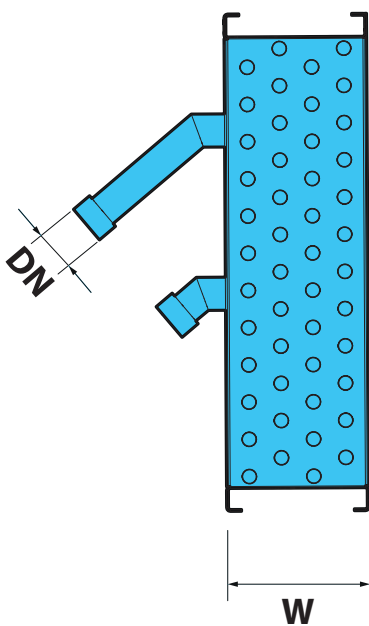


It is the responsibility of the user/installer to check the static and dynamic stability relative to the installation and to arrange environments so that **people who are not competent or authorised DO NOT have access to the unit or to its controls.**

2 Technical data

Water coils | Cooling

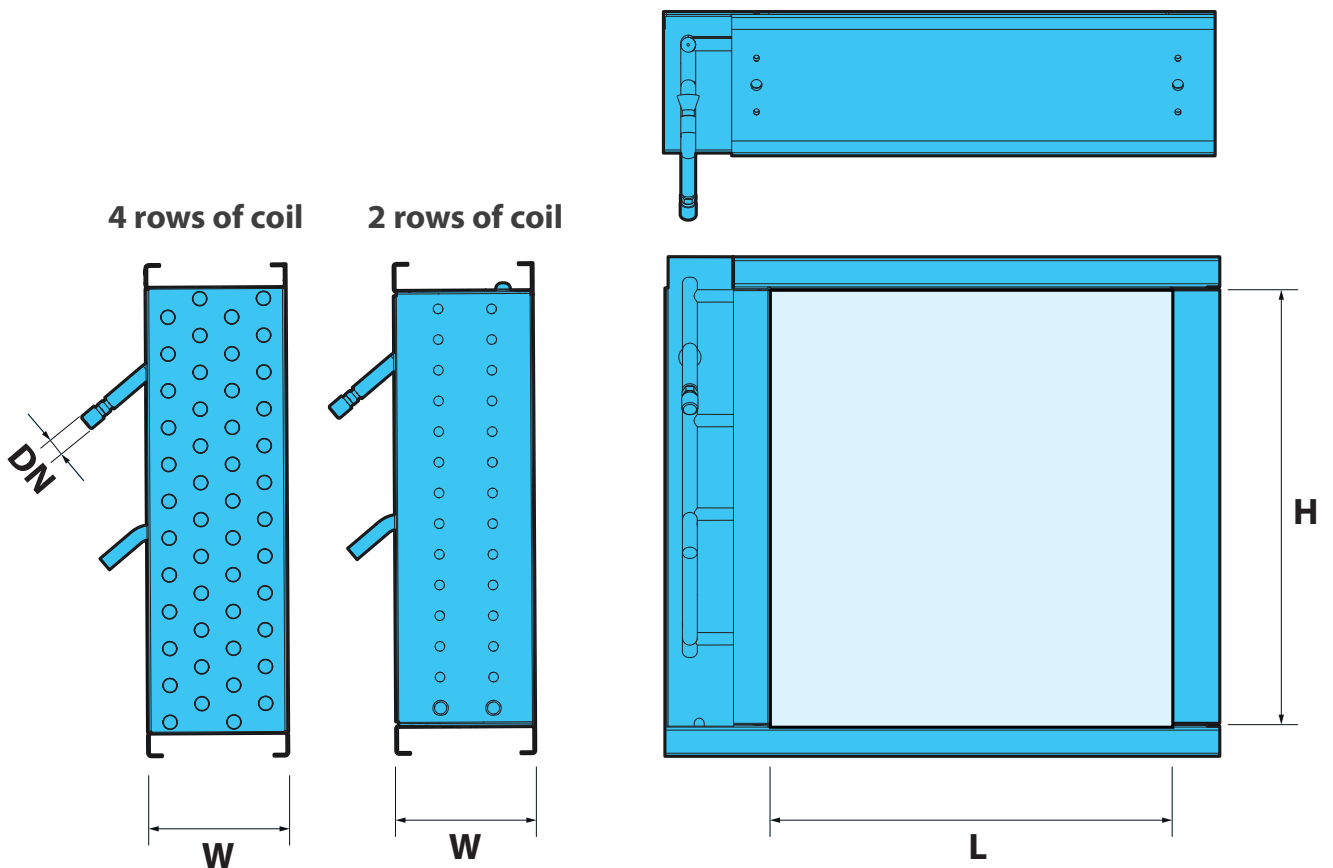
Size	Material name	Total Capacity [kW]	H [mm]	L [mm]	W [mm]	DN [inch]	WEIGHT [kg]
03	ATD03UWSAR	7,46	361	310	114	3/4	11
	ATD03UWSAL						
04	ATD04UWSAR	14,96	361	550	114	3/4	15
	ATD04UWSAL						
05	ATD05UWSAR	22,76	601	530	114	1	21
	ATD05UWSAL						
06	ATD06UWSAR	25,49	691	520	131	1 1/4	23
	ATD06UWSAL						
07	ATD07UWSAR	38,86	811	620	131	1 1/4	30
	ATD07UWSAL						



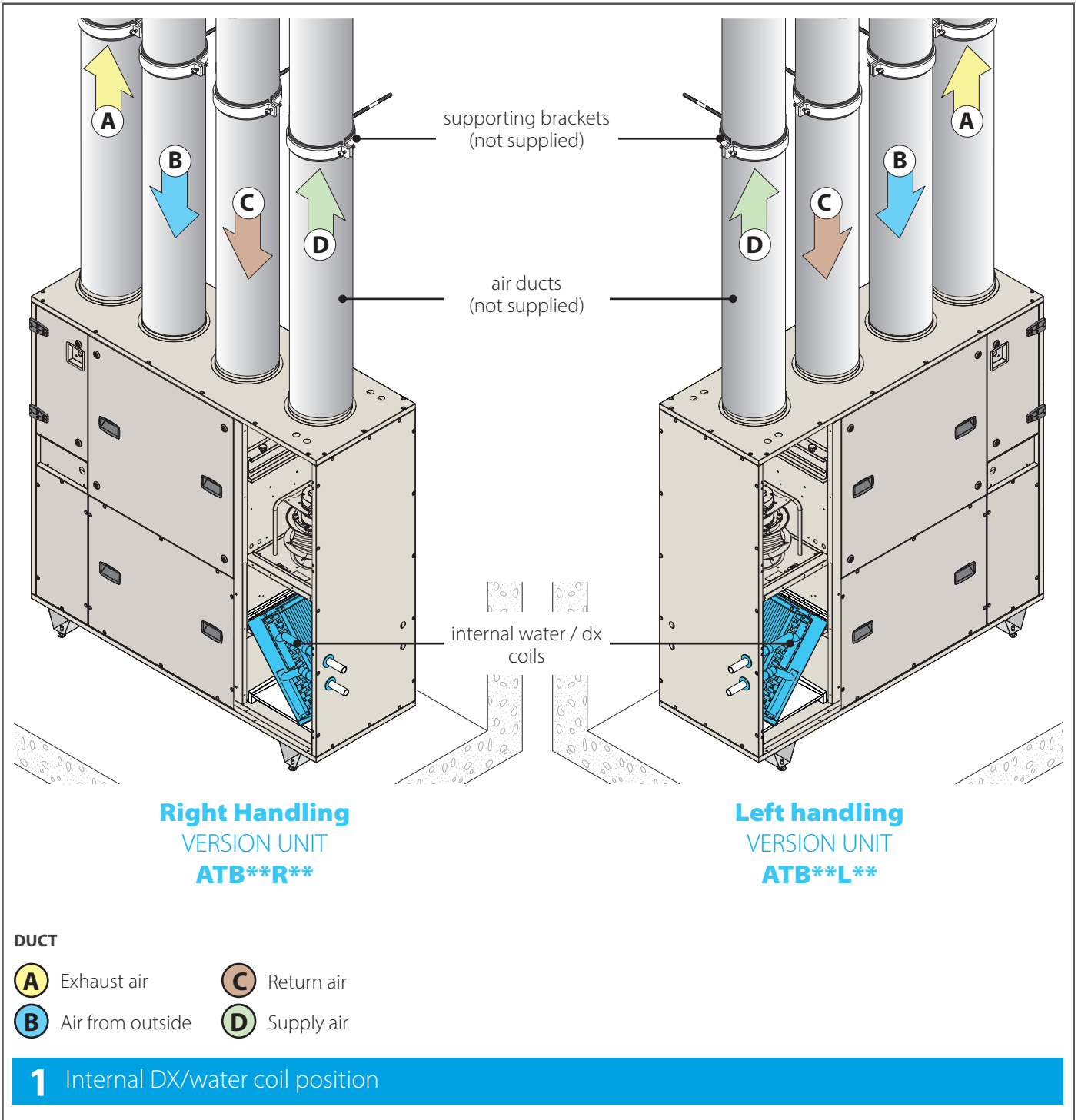
DX

Size	Material name	Total Capacity / Sensible [kW]	H [mm]	L [mm]	W [mm]	Weight [kg]	Row of coil
03	ATD03UDSAL	9,9 / 4,4	350	320	114	7,2	4
	ATD03UDSAR						
04	ATD04UDSAL	12,3 / 5,7	350	560	114	10,2	4
	ATD04UDSAR						
05	ATD05UDSAL	24,4 / 10,7	600	535	114	15,5	4
	ATD05UDSAR						
06	ATD06UDSAL	24,8 / 11,2	675	530	131	18	4
	ATD06UDSAR						
07	ATD07UDSAL	31,1 / 14,1	800	630	131	23	4
	ATD07UDSAR						

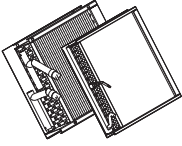
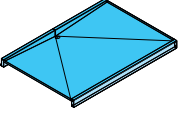


Size	Material name	Total Capacity / Sensible [kW]	H [mm]	L [mm]	W [mm]	Weight [kg]	Row of coil
04	ATD04UDSBL	8,3 / 4,3	350	560	114	8	2
	ATD04UDSBR						
05	ATD05UDSBL	12,4 / 6,4	600	530	114	11	2
	ATD05UDSBR						
06	ATD06UDSBL	15,6 / 8,0	675	530	135	13	2
	ATD06UDSBR						
07	ATD07UDSBL	21,8 / 11,2	800	630	135	16	2
	ATD07UDSBR						

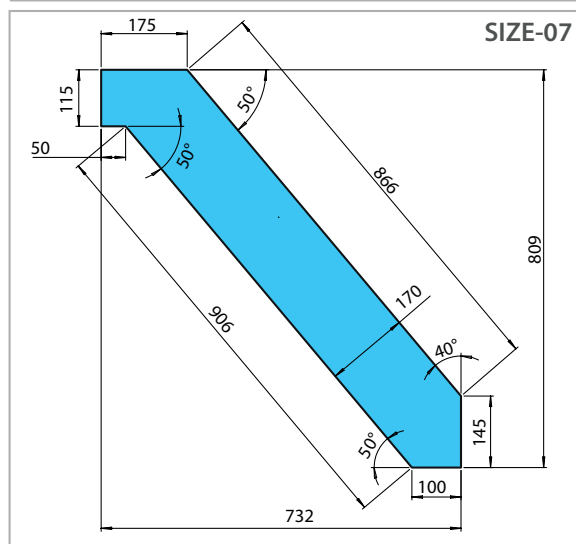
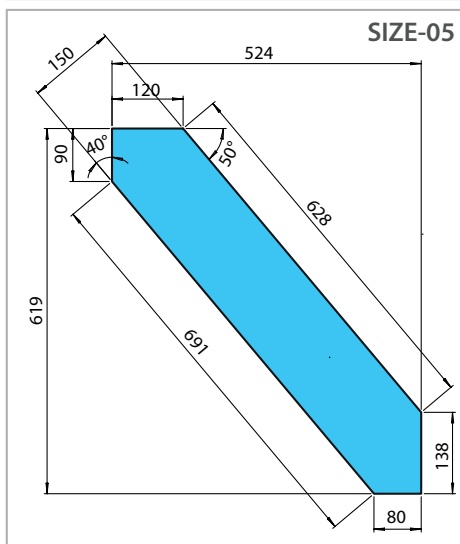
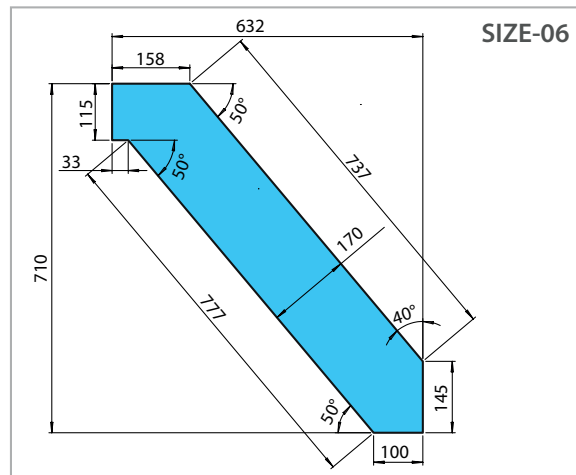
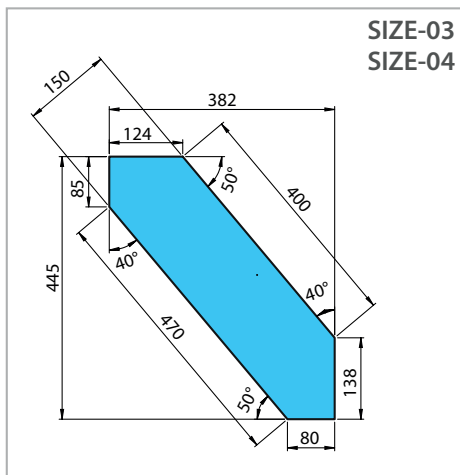


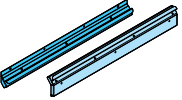

3 Installation

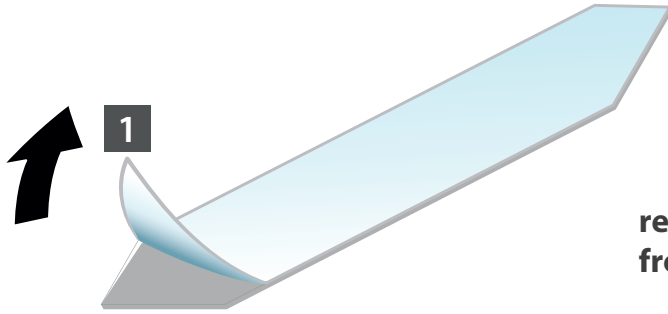


Components

	Component	number of components	
		WATER COILS	DX COILS
	Coils	1	1
	Drain pan	1	1
	Extension pipes	2	-
	Gasket	2	2



	Assembled metal sheets	2					2				
	Screw	size 03	size 04	size 05	size 06	size 07	size 03	size 04	size 05	size 06	size 07
		12	12	10	12	13	12	12	10	12	13



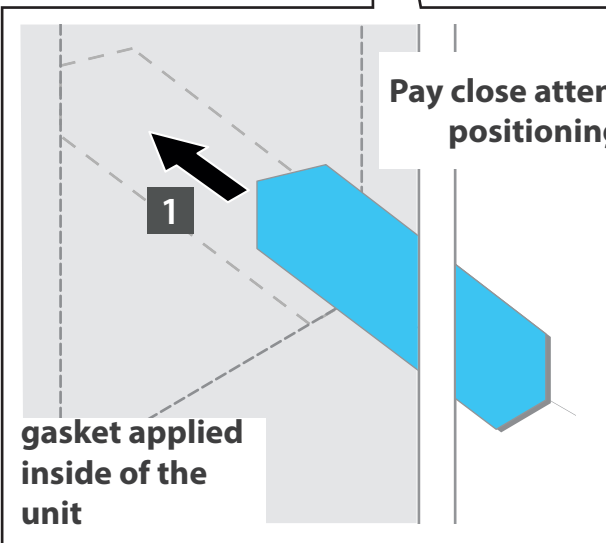
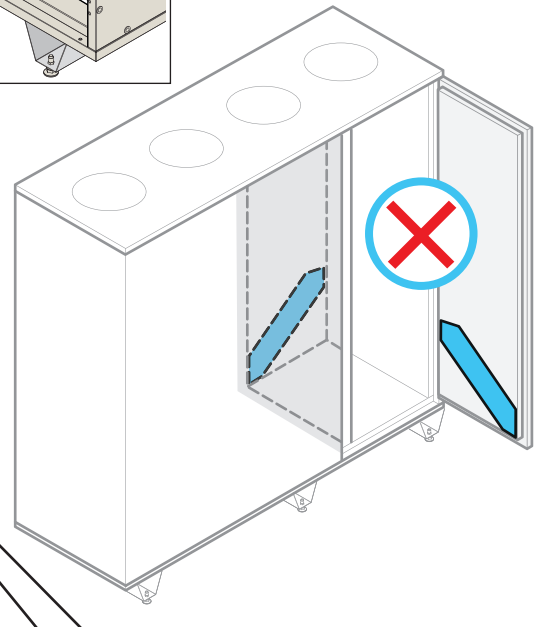
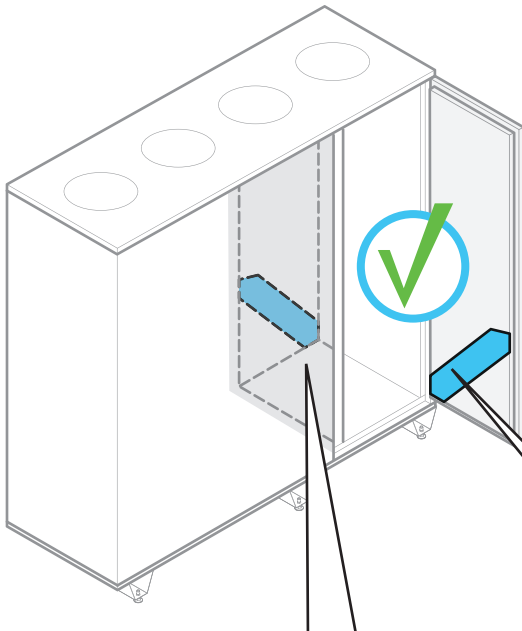
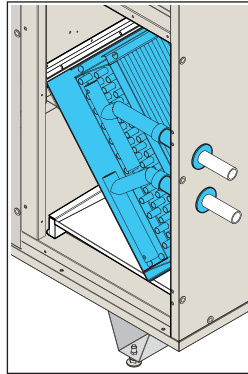
remove the protective film
from the back of the gasket

2 Preparation of the gasket

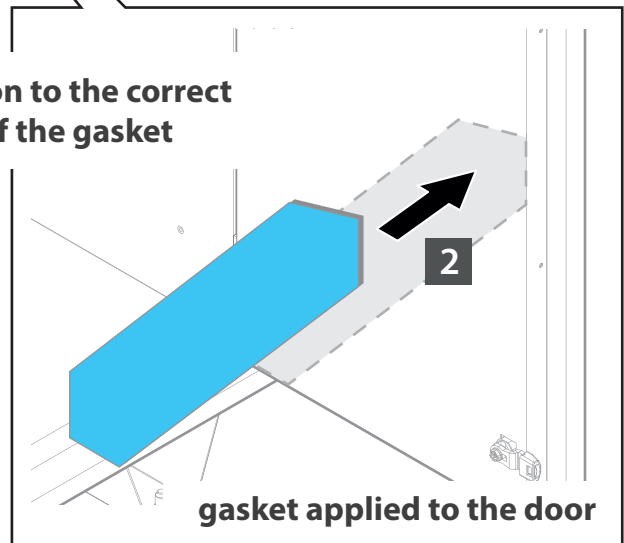
Right Handling

VERSION UNIT

ATB**R**

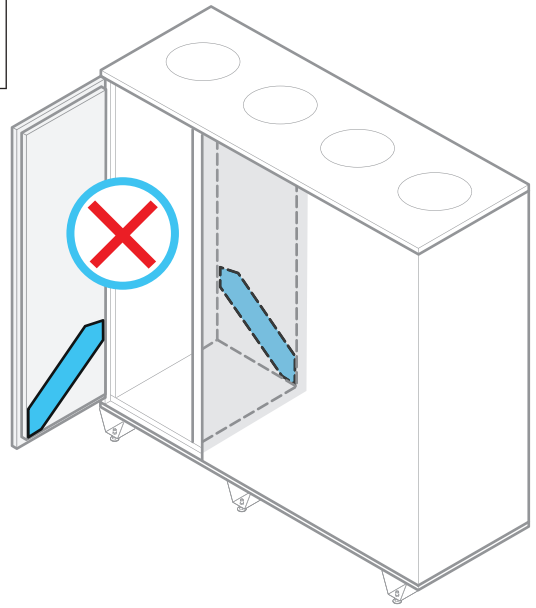
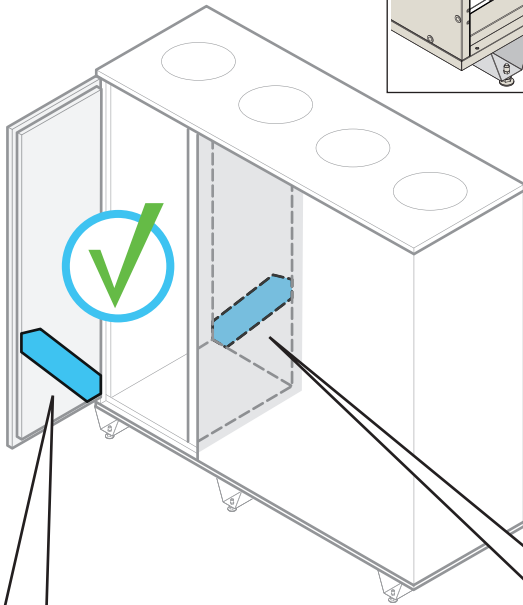
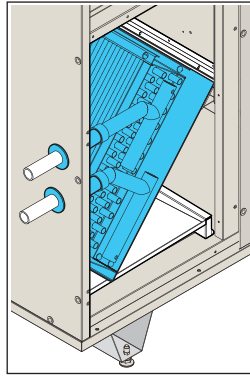


Pay close attention to the correct
positioning of the gasket

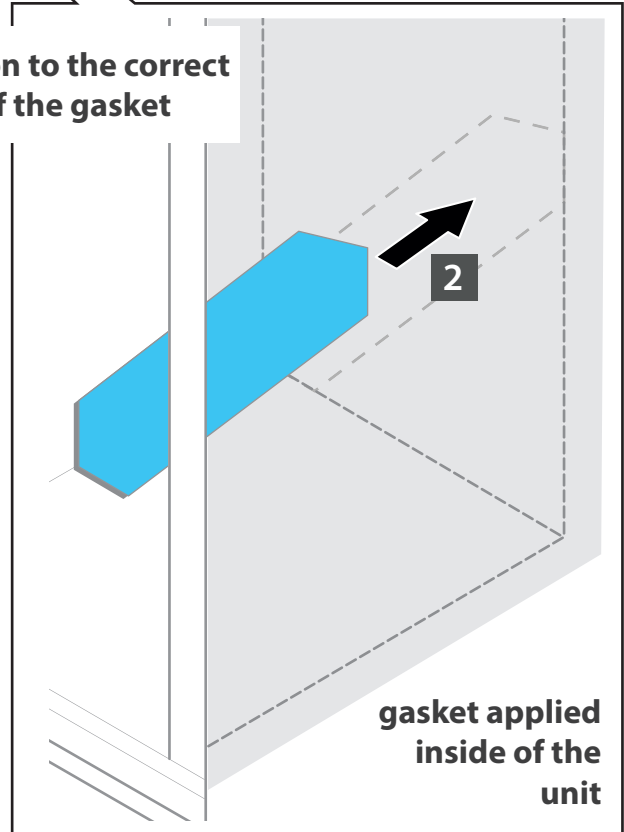
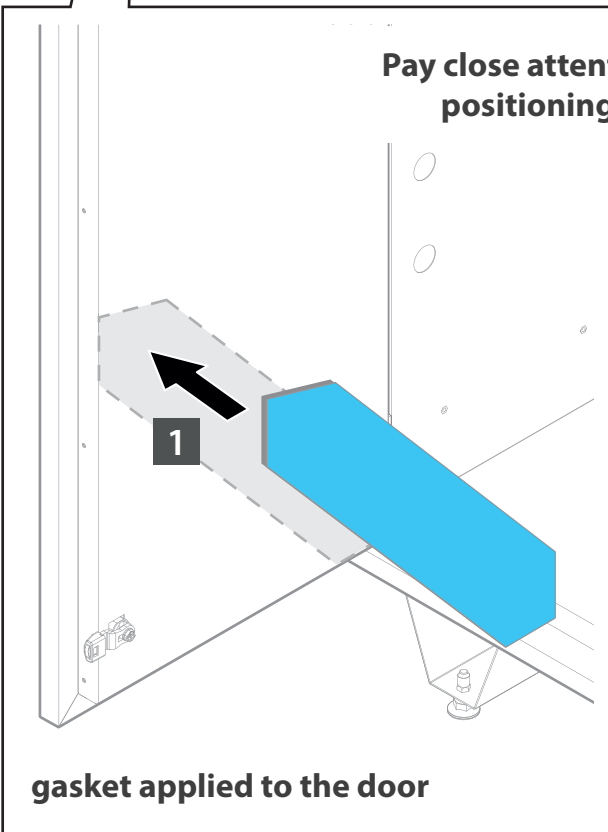


3 Correct application of the gasket

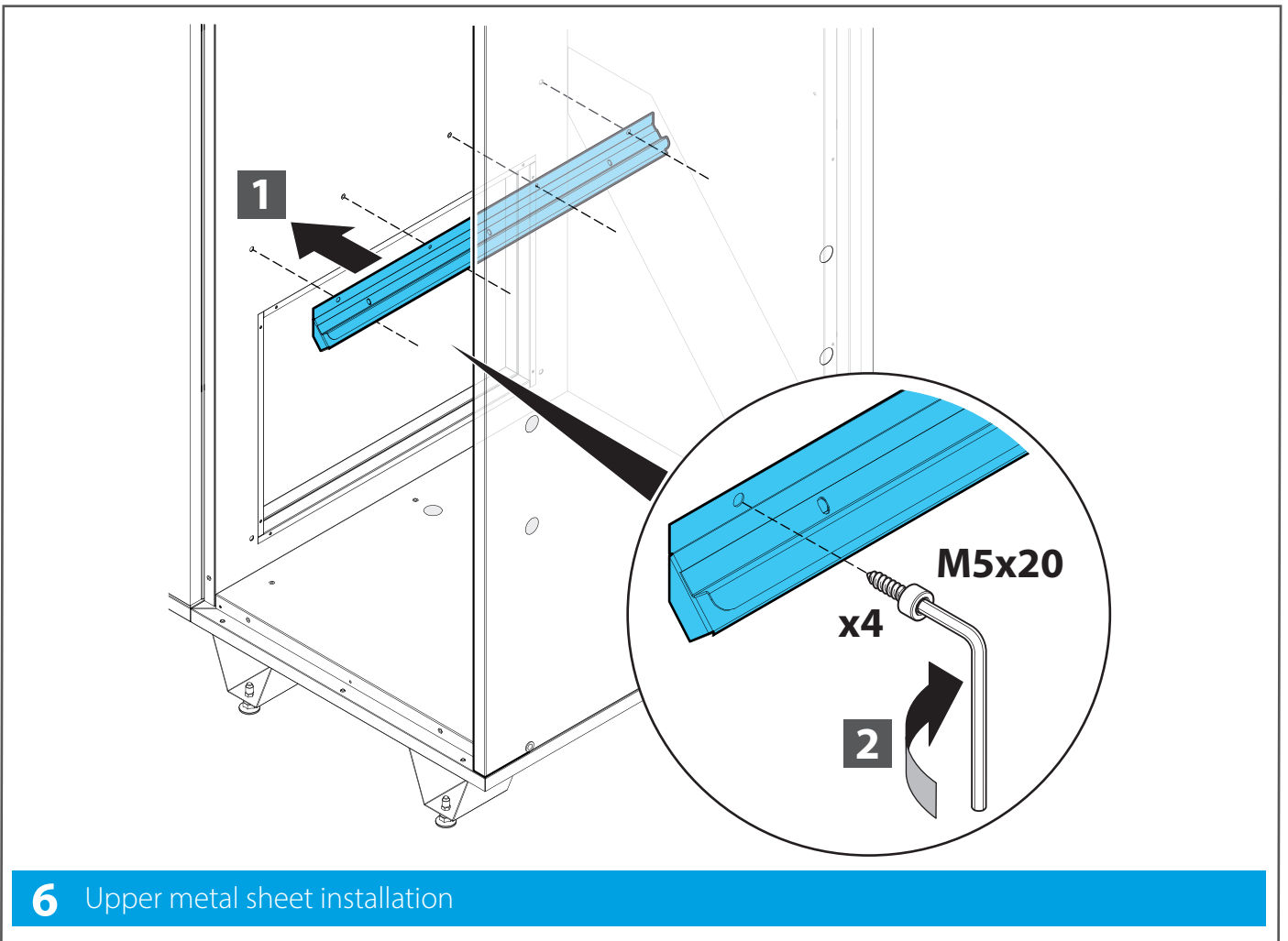
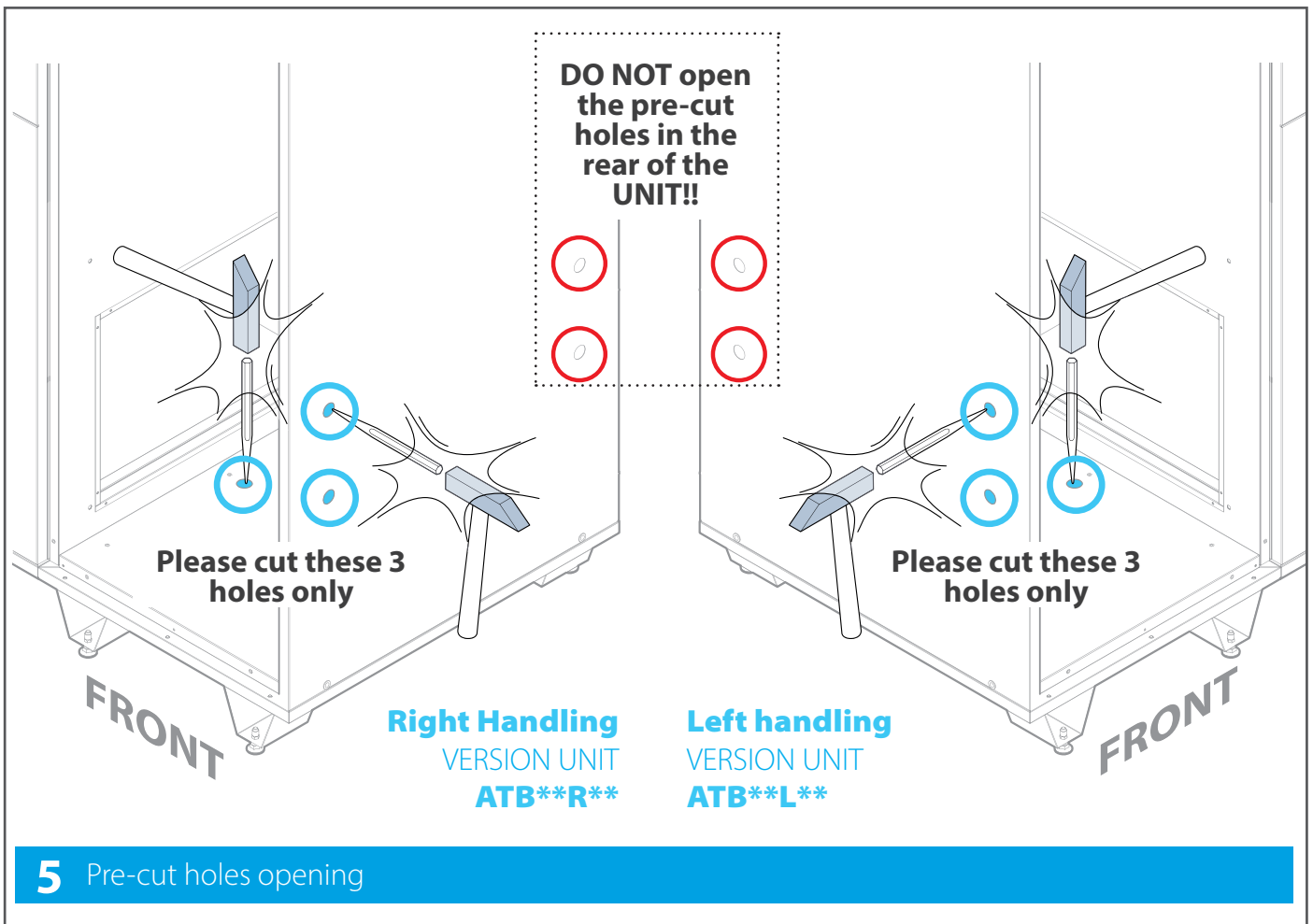
Left handling
VERSION UNIT
ATBL****

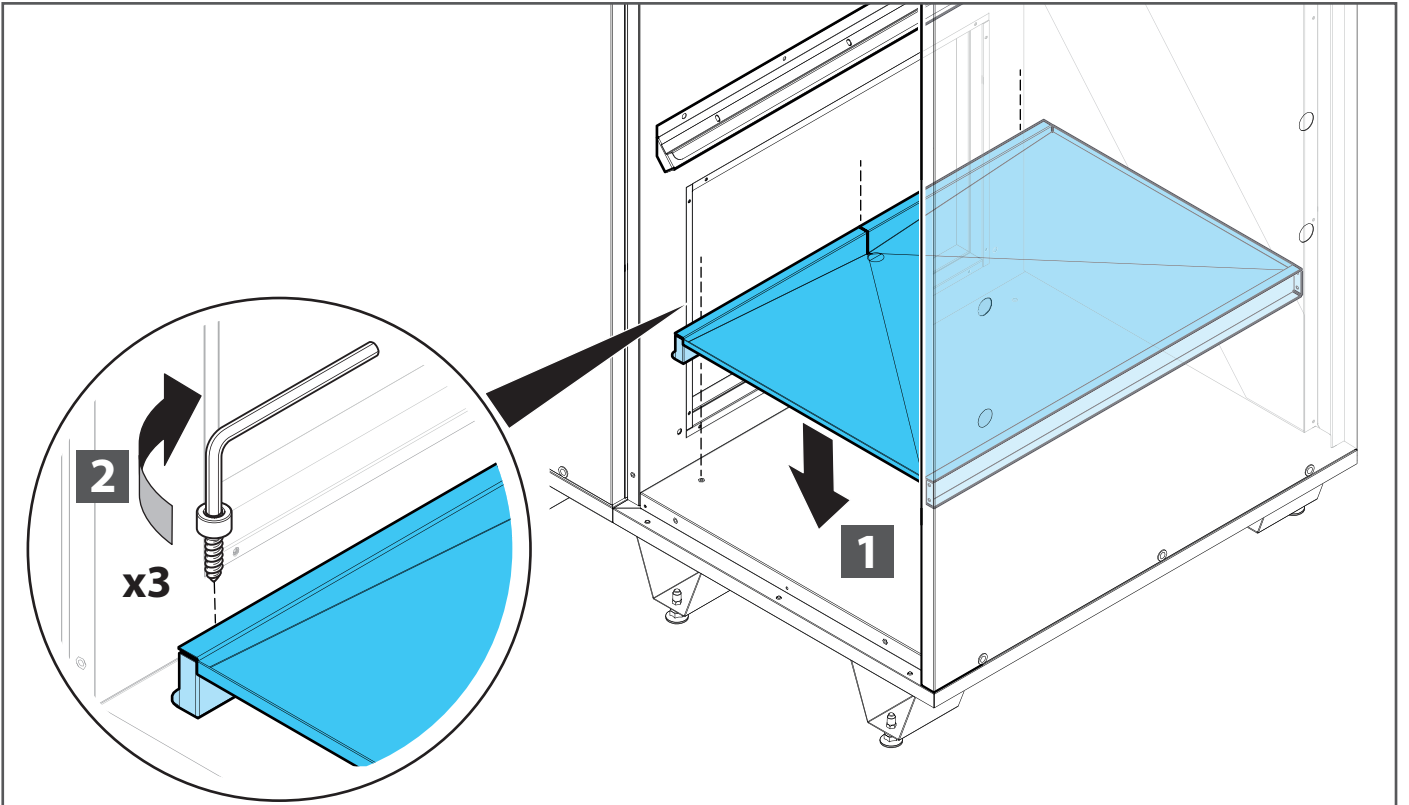


Pay close attention to the correct positioning of the gasket

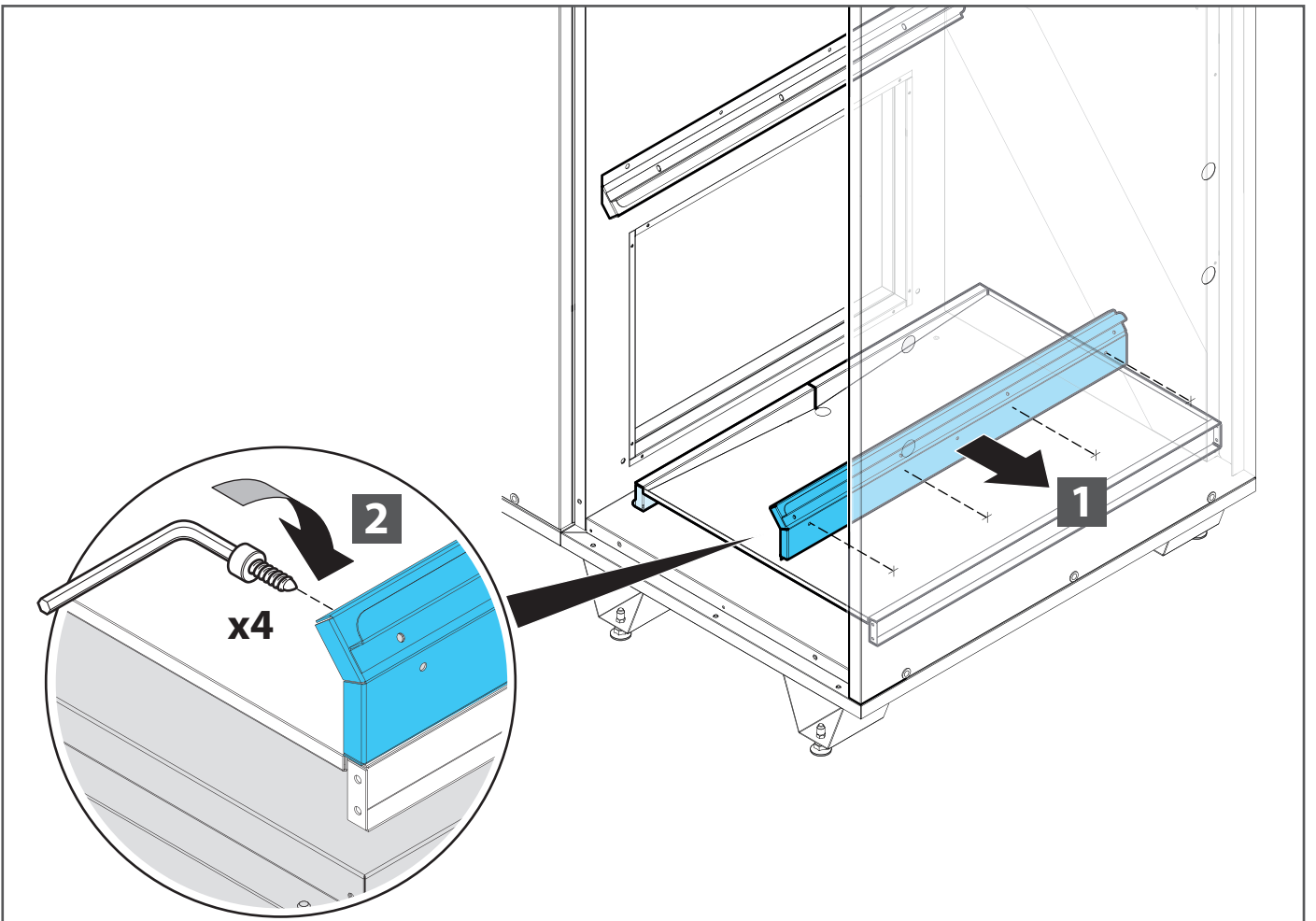


4 Correct application of the gasket

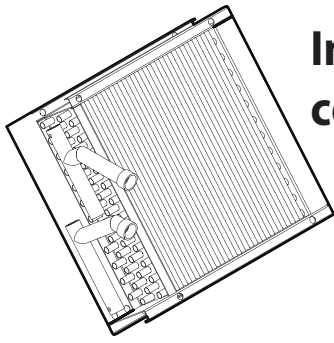




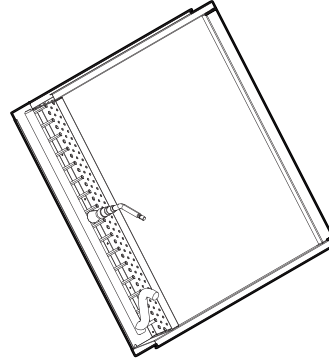
7 Drain pan installation



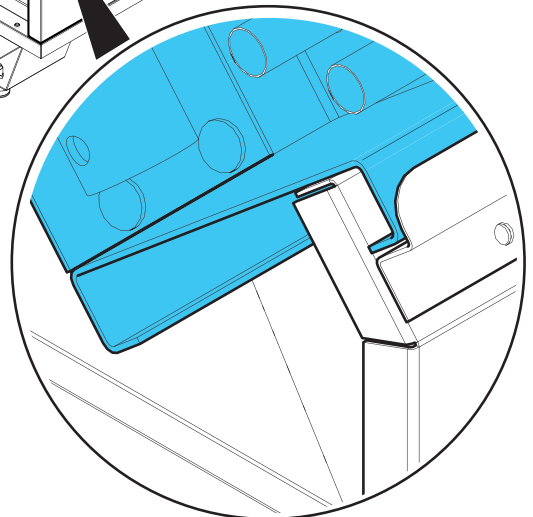
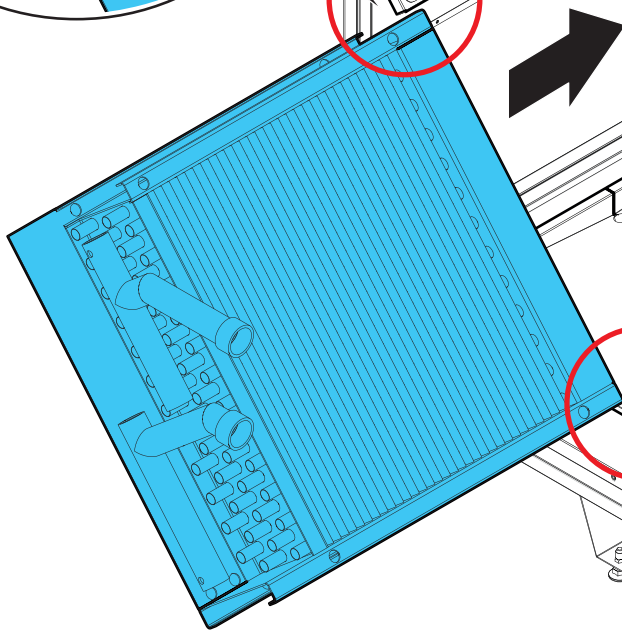
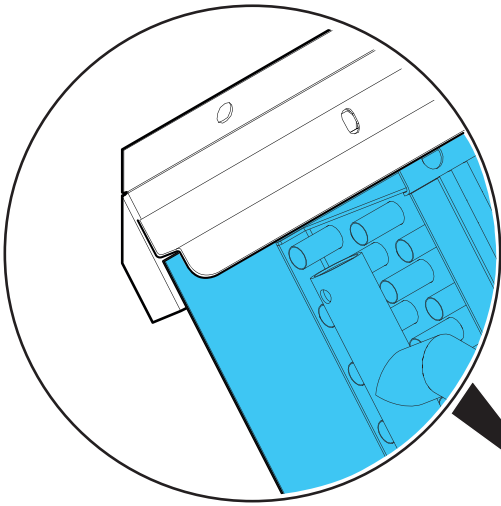
8 Bottom metal sheet installation



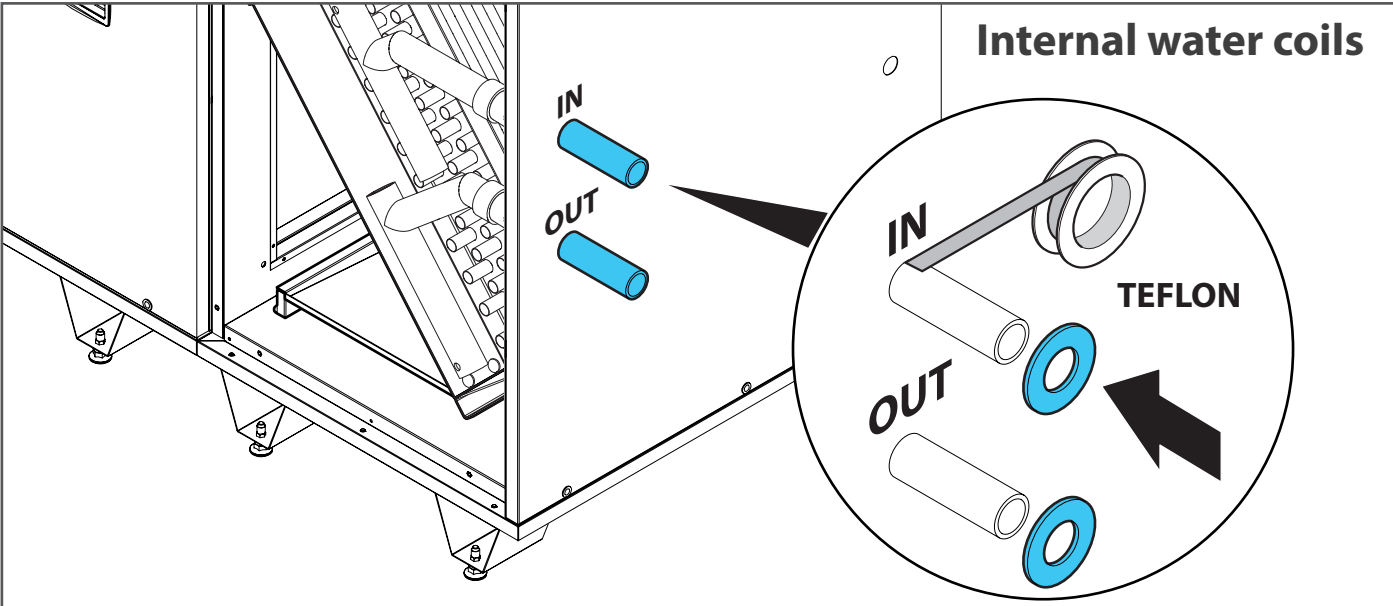
Internal water coils



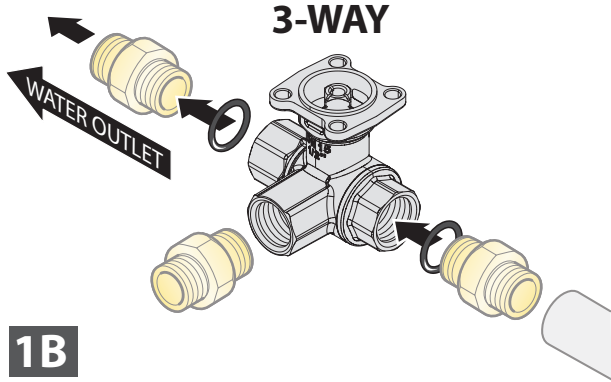
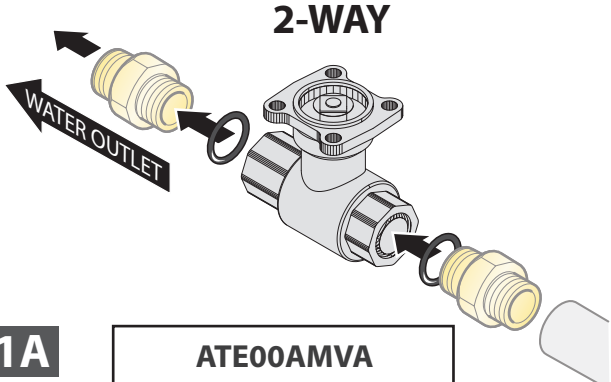
Internal DX coils



Internal water coils



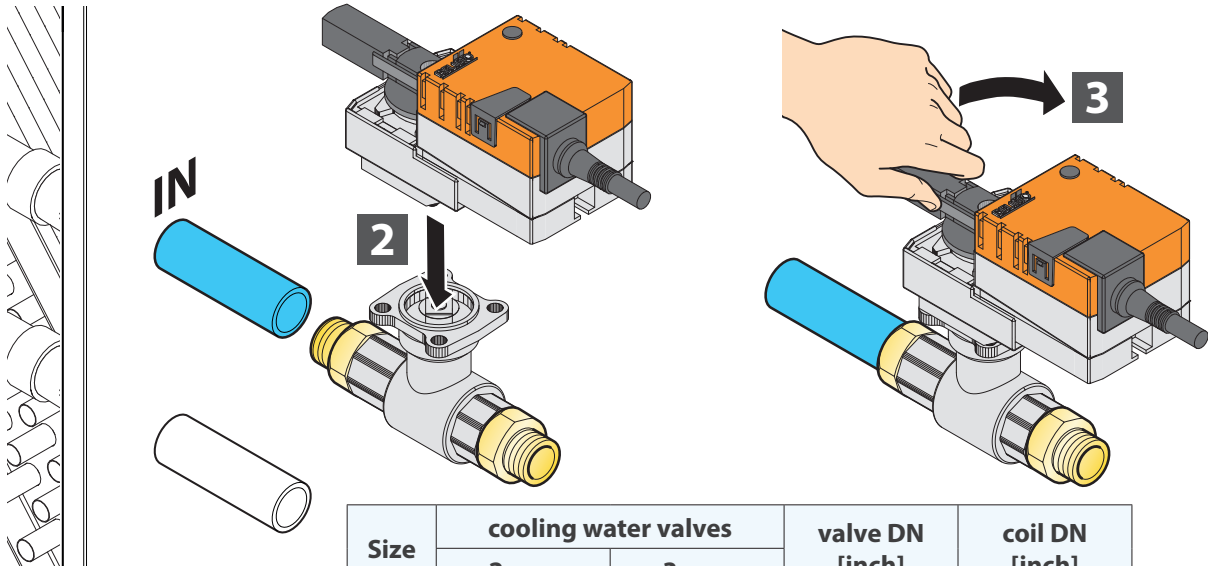
10 Extension pipes installation



1A

ATE00AMVA
Modulating actuator

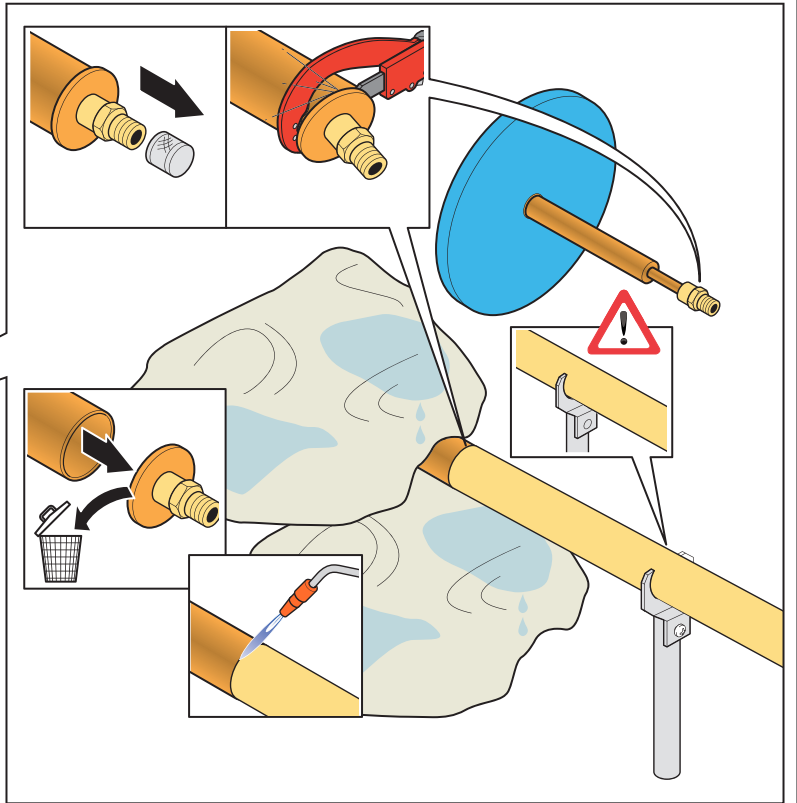
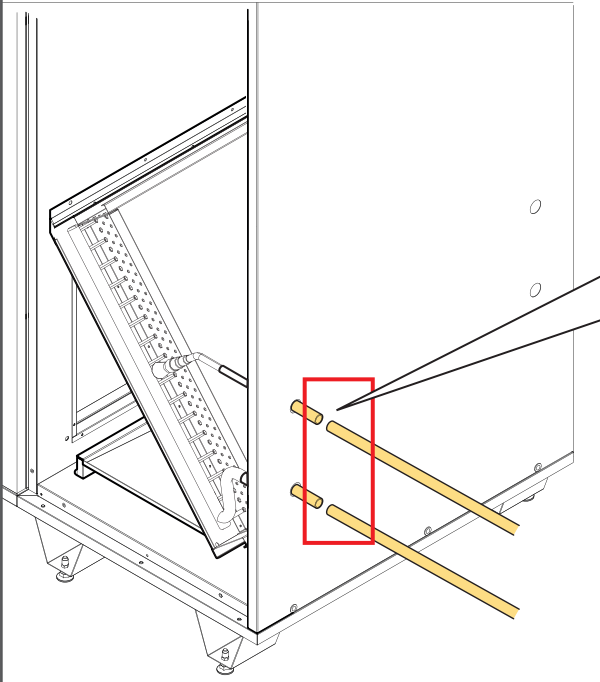
1B



Size	cooling water valves		valve DN [inch]	coil DN [inch]
	2 way	3 way		
03	ATV03CW2A	ATV03CW3A	1/2	3/4
04	ATV04CW2A	ATV04CW3A	1/2	3/4
05	ATV05CW2A	ATV05CW3A	3/4	1
06	ATV06CW2A	ATV06CW3A	3/4	1 1/4
07	ATV07CW2A	ATV07CW3A	1	1 1/4

11 Valve and actuator installation (opt.)

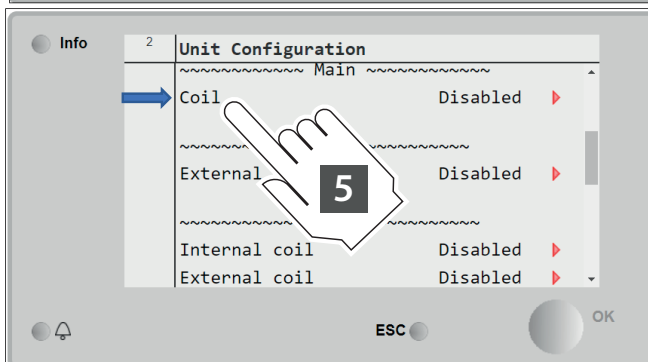
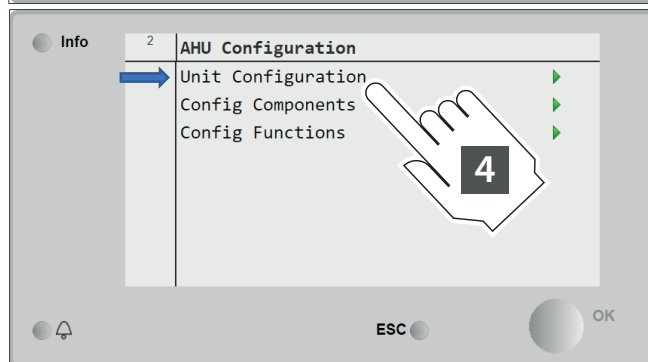
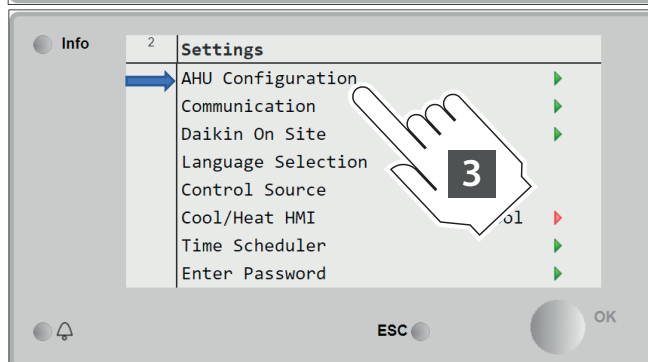
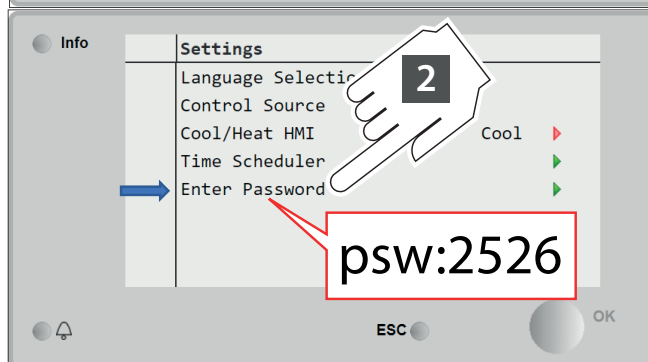
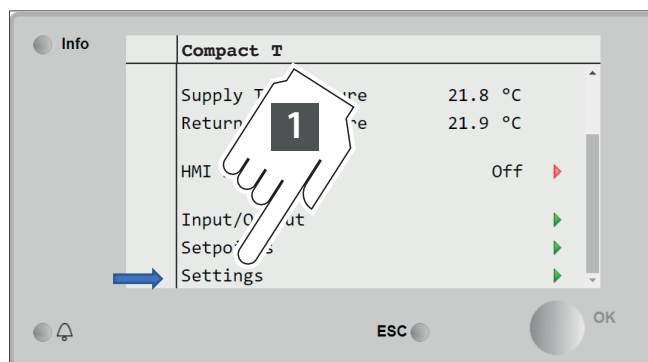
Internal DX coils

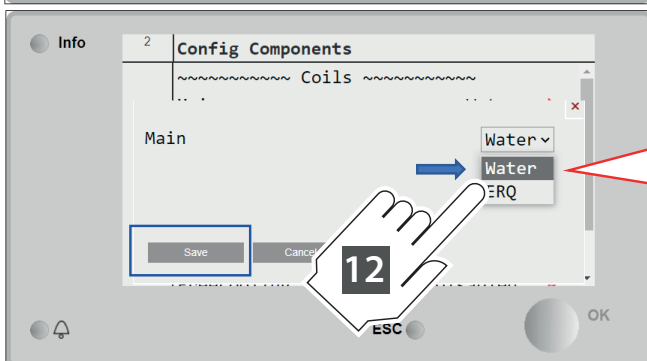
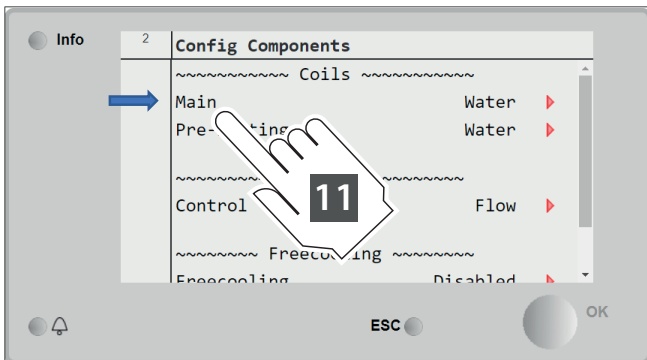
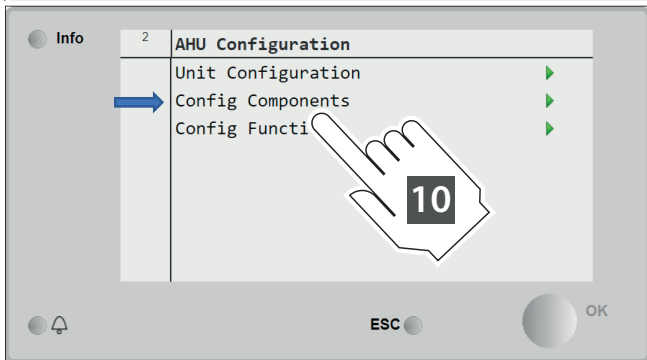
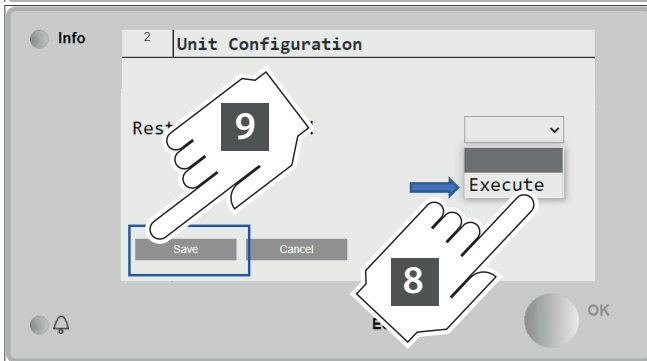
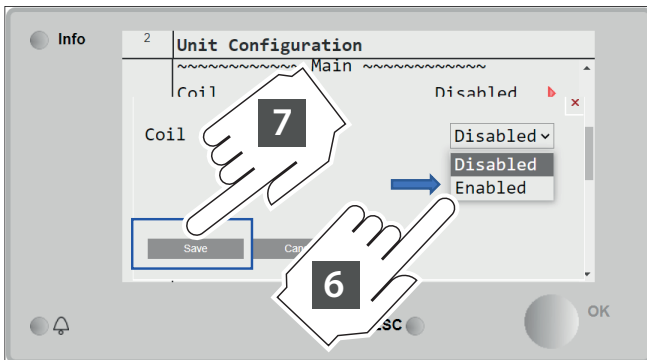


12 Pipes welding procedure

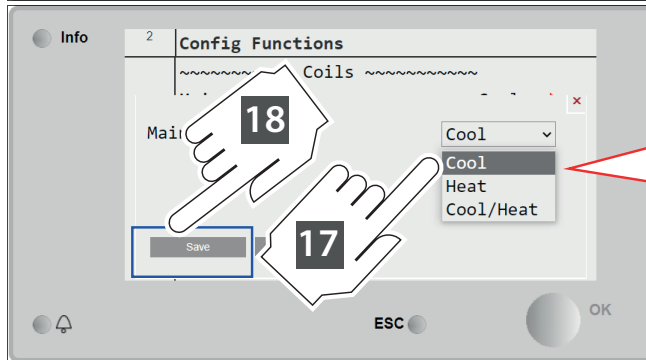
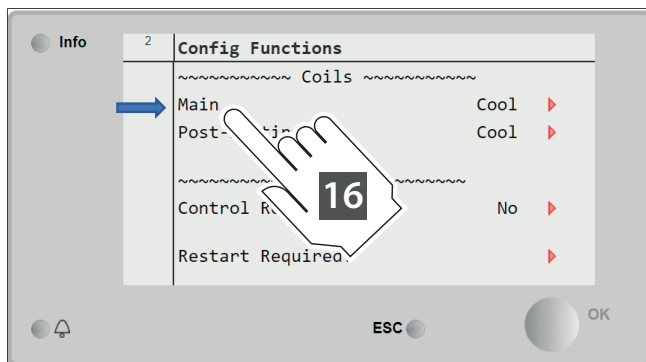
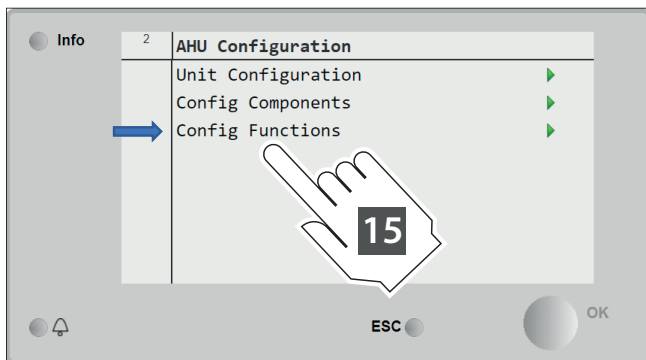
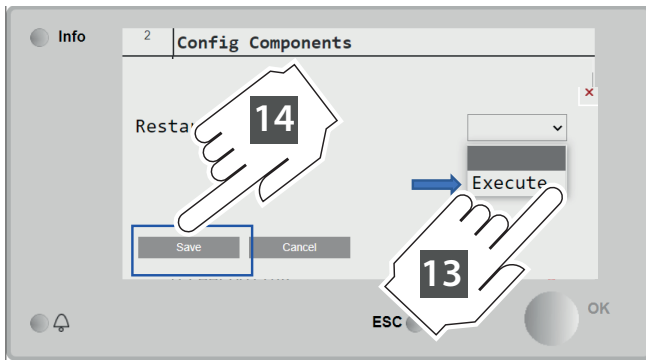
Software setup

Commissioning module ALC00895A is required



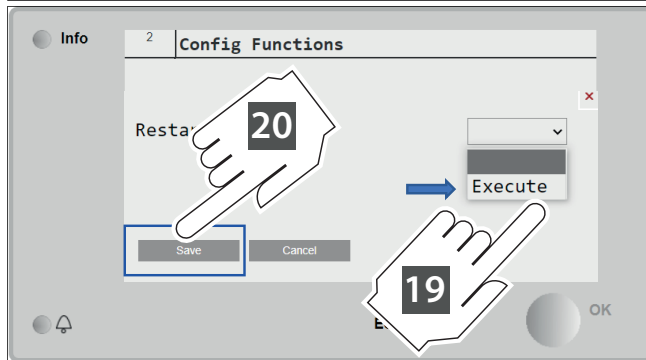


WATER -> Cooling coil water
ERQ -> DX Cooling coil



Select whether the coil is will work as:

- cooling
- heating
- mixing (cooling/heating)



DAIKIN APPLIED EUROPE S.p.A. Via Piani S. Maria, 72 - 00072 Ariccia (Rome) Italy - www.daikinapplied.eu

La presente pubblicazione è redatta solo come supporto tecnico e non costituisce impegno vincolante per Daikin Applied Europe S.p.A. Daikin Applied Europe S.p.A. ne ha compilato il contenuto al meglio delle proprie conoscenze. Nessuna esplicita o implicita garanzia è data per la completezza, precisione, affidabilità del suo contenuto. Tutti i dati e le specifiche in essa riportati sono soggetti a modifiche senza preavviso. Fanno fede i dati comunicati al momento dell'ordine. Daikin Applied Europe S.p.A. respinge esplicitamente qualsiasi responsabilità per qualsiasi danno diretto o indiretto, nel senso più ampio del termine, derivanti o connessi con l'uso e / o l'interpretazione di questa pubblicazione. Tutto il contenuto è protetto da copyright di Daikin Applied Europe S.p.A.

D-EIMOC2009-21_01EN